

Top View

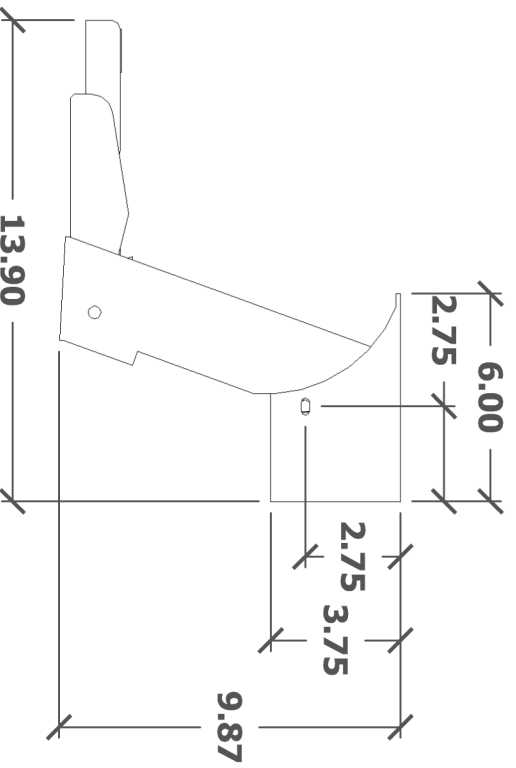
Scale: 1"=1"

Elkhart Tool & Die

Step No. 424-(1)

www.ElkhartTool.com

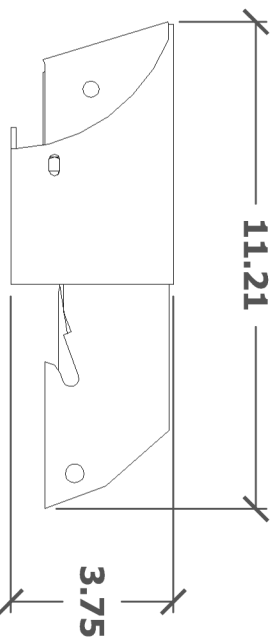
Open Step



Side View

Scale: 1"=1/4"

Closed Step



Side View

Scale: 1"=1/4"



Front View

Scale: 1"=1/4"